

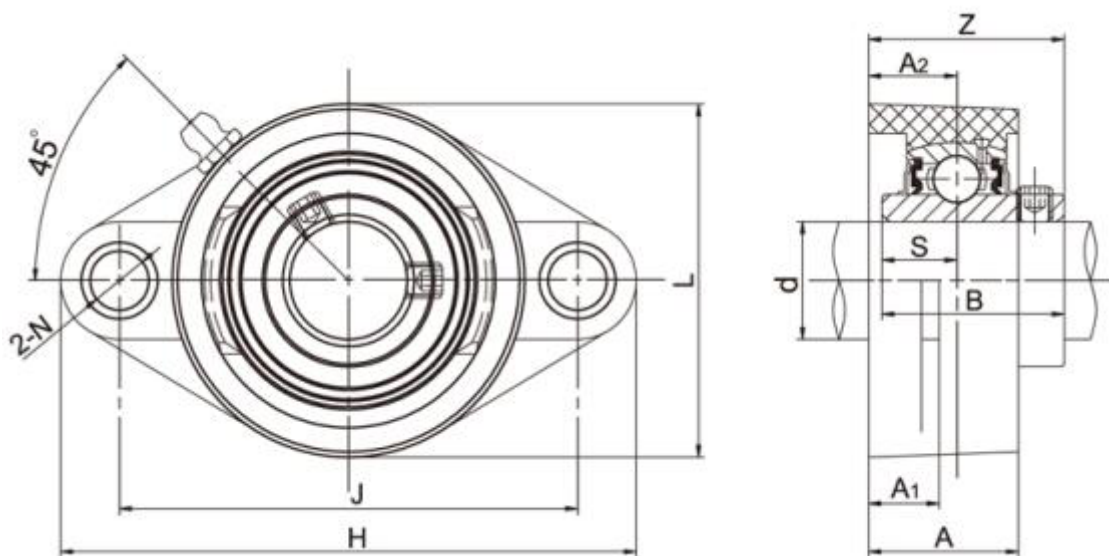
# Data Sheet



Article number: 54810642053

Description: 2 hole Flange Unit TP-SUCFL205 for shaft  $\text{\O}25\text{mm}$   
Insert stainless steel, housing Thermoplastic green

## Measures



A = 29	L = 69
A1 = 14	N = 11
A2 = 17	S = 14.3
B = 34.1	Z = 36.7
Bolt = M10	
d = 25	
H = 131	
J = 99	